


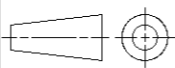
THIS DRAWING IS UNPUBLISHED. RELEASED FOR PUBLICATION 2000
 © COPYRIGHT 2000 BY TYCO ELECTRONICS CORPORATION. ALL RIGHTS RESERVED.

LOC	DIST	REVISIONS					
		P	LTR	DESCRIPTION	DATE	DWN	APVD
A1	-		A1	PART NUMBER CHANGED TO TYCO ELECTRONICS	24 JAN 2001	ACK	GF
			B1	MAT.-COLOUR CHANGE FROM BLUE TO NATURE	30.10.07	M.S	MS

CROSS REFERENCE LIST / UEBERSETZUNGSLISTE

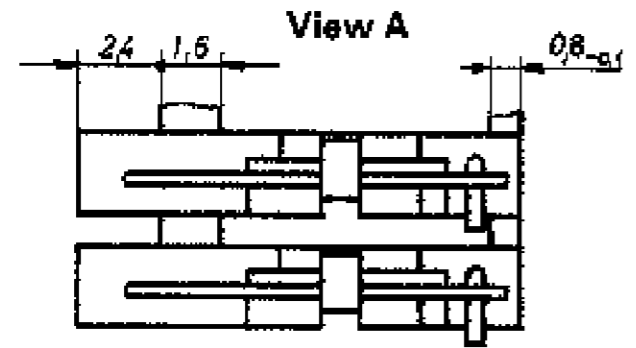
TE - PN	OLD PART NUMBER	SEE SHEET	TE - PN	OLD PART NUMBER	SEE SHEET
1 393 546 - 1	C 42315-A1347-A101	2	1 - 1 393 546 - 1	C 42315-A1347-A112	2
1 393 546 - 2	C 42315-A1347-A102	2	1 - 1 393 546 - 2	C 42315-A1347-A116	2
1 393 546 - 3	C 42315-A1347-A103	2	1 - 1 393 546 - 3	C 42315-A1347-A124	2
1 393 546 - 4	C 42315-A1347-A104	2	1 - 1 393 546 - 4	C 42315-A1347-A201	3
1 393 546 - 5	C 42315-A1347-A105	2	1 - 1 393 546 - 5	C 42315-A1347-A202	3
1 393 546 - 6	C 42315-A1347-A106	2	1 - 1 393 546 - 6	C 42315-A1347-A203	3
1 393 546 - 7	C 42315-A1347-A107	2	1 - 1 393 546 - 7	C 42315-A1347-A204	3
1 393 546 - 8	C 42315-A1347-A108	2	1 - 1 393 546 - 8	C 42315-A1347-A205	3
1 393 546 - 9	C 42315-A1347-A109	2	1 - 1 393 546 - 9	C 42315-A1347-A208	3
1 - 1 393 546 - 0	C 42315-A1347-A110	2	2 - 1 393 546 - 0	C 42315-A1347-A212	3

ERSETZT EC-ZEICHNUNG C 42315-A1347-A1***-27 BL. 1 UND 2
 UND C 42315-A1347-A2***-27 BL. 1

<small>THIS DRAWING IS A CONTROLLED DOCUMENT FOR TYCO ELECTRONICS CORPORATION IT IS SUBJECT TO CHANGE AND THE CONTROLLING ENGINEERING ORGANIZATION SHOULD BE CONTACTED FOR THE LATEST REVISION.</small>		DWN 24 JAN 2001 G. ACKERMANN CHR - M. SCHLEIHAUF APVD - G. FELDMEIER	 tyco Electronics AMP GmbH D - 67346 Speyer
DIMENSIONS: mm 	TOLERANCES UNLESS OTHERWISE SPECIFIED: 0 PLC ± 1 PLC ± 2 PLC ± 3 PLC ± 4 PLC ± ANGLES ±1° FINISH -	PRODUCT SPEC - APPLICATION SPEC - WEIGHT -	NAME DIPFIX - SCHALTER DIPFIX - SWITCH
MATERIAL -	FINISH -	WEIGHT -	SIZE A3 CAGE CODE 00779 DRAWING NO C=1393546-1 RESTRICTED TO -
CUSTOMER DRAWING		SCALE 1:1	SHEET 1 OF 3 REV B1

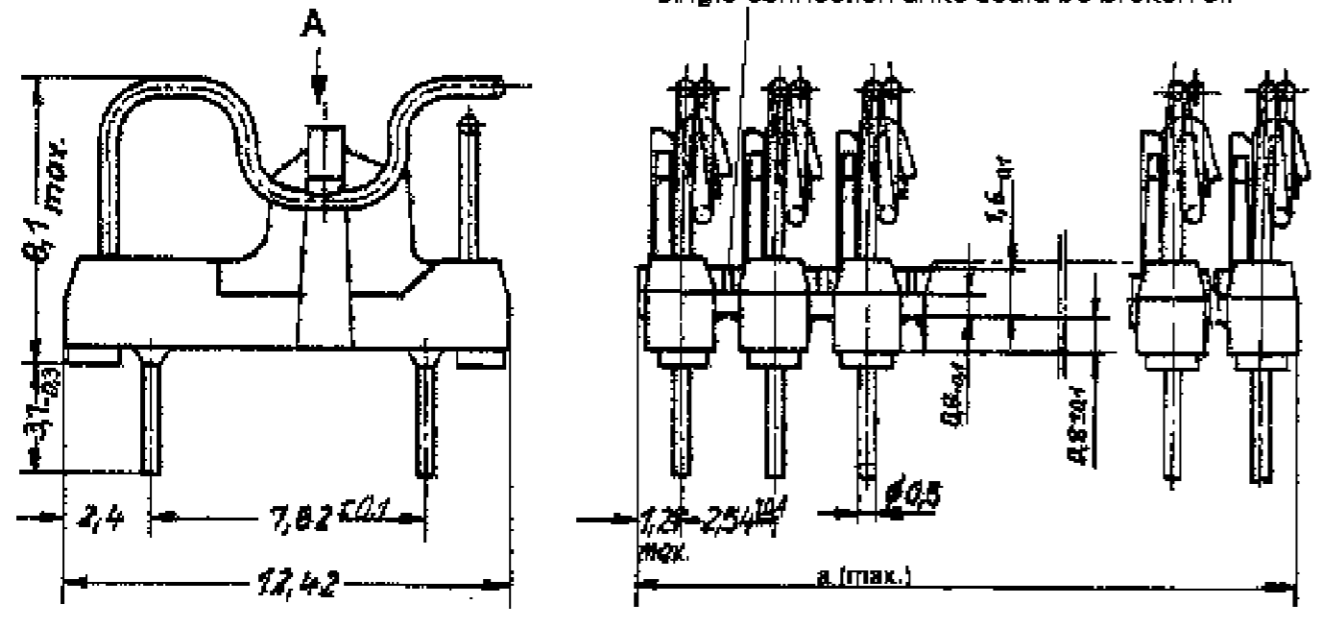
THIS DRAWING IS UNPUBLISHED. RELEASED FOR PUBLICATION 2000
 © COPYRIGHT 2000 BY TYCO ELECTRONICS CORPORATION. ALL RIGHTS RESERVED.

LOC	DIST	REVISIONS					
		P	LTR	DESCRIPTION	DATE	DWN	APVD
A1	-	-	-	SEE SHEET 1	-	-	-



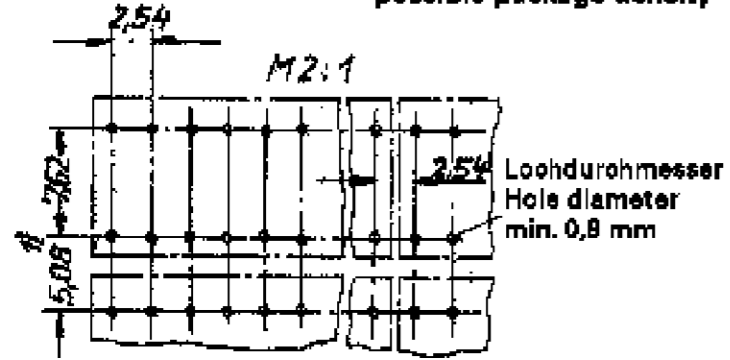
1) Beim Kleinmaß 5,08 müssen die Schalter spiegelbildlich montiert werden
 In the case of dim. 5,08 the switches have to be mounted rear side to rear side

Sollbruchstellen, einzelne Verbindungen abtrennbar
 Predetermined breaking point, single connection units could be broken off

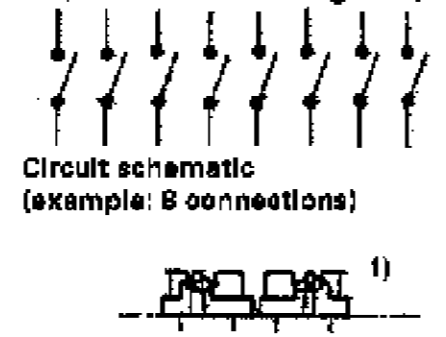


TE - PN	OLD PART NUMBER	DIMENSION a	POSITION NUMBER POLZAHL
1 393 546 - 1	C 42315-A1347-A101	2.54	1
1 393 546 - 2	C 42315-A1347-A102	5.08	2
1 393 546 - 3	C 42315-A1347-A103	7.62	3
1 393 546 - 4	C 42315-A1347-A104	10.16	4
1 393 546 - 5	C 42315-A1347-A105	12.7	5
1 393 546 - 6	C 42315-A1347-A106	15.24	6
1 393 546 - 7	C 42315-A1347-A107	17.78	7
1 393 546 - 8	C 42315-A1347-A108	20.32	8
1 393 546 - 9	C 42315-A1347-A109	22.86	9
1 - 1 393 546 - 0	C 42315-A1347-A110	25.4	10
1 - 1 393 546 - 1	C 42315-A1347-A112	30.48	12
1 - 1 393 546 - 2	C 42315-A1347-A116	40.64	16
1 - 1 393 546 - 3	C 42315-A1347-A124	60.96	24

Rasterlochung u. Packungsdichte
 Mounting holes and possible package density



Schaltschema
 (Beispiel: B Verbindungsmöglichkeit)



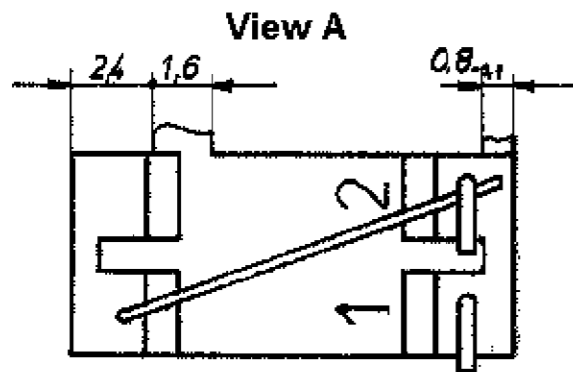
MATERIAL: PBTP-GF30; COLOUR: NATURE

ERSETZT EC-ZEICHNUNG C42315-A1347-A1**-*-27 BL. 1 UND 2

<small>THIS DRAWING IS A CONTROLLED DOCUMENT FOR TYCO ELECTRONICS CORPORATION IT IS SUBJECT TO CHANGE AND THE CONTROLLING ENGINEERING ORGANIZATION SHOULD BE CONTACTED FOR THE LATEST REVISION.</small>		DWN 24 JAN 2001 G. ACKERMANN CHR - M. SCHLEIHAUF APVD - G. FELDMEIER PRODUCT SPEC - APPLICATION SPEC - WEIGHT -		tyco Electronics AMP GmbH D - 67346 Speyer	
DIMENSIONS: mm 		TOLERANCES UNLESS OTHERWISE SPECIFIED: 1 PL ± 2 P/C ±0.15 3 P/C ± PL ANGLES ±1° FINISH -		NAME DIPFIX - SCHALTER DIPFIX - SWITCH	
MATERIAL -		CUSTOMER DRAWING		SIZE A3 CAGE CODE 00779 DRAWING NO. C=1393546-1 RESTRICTED TO -	
		SCALE 5:1, 2:1		SHEET 2 OF 3 REV B1	

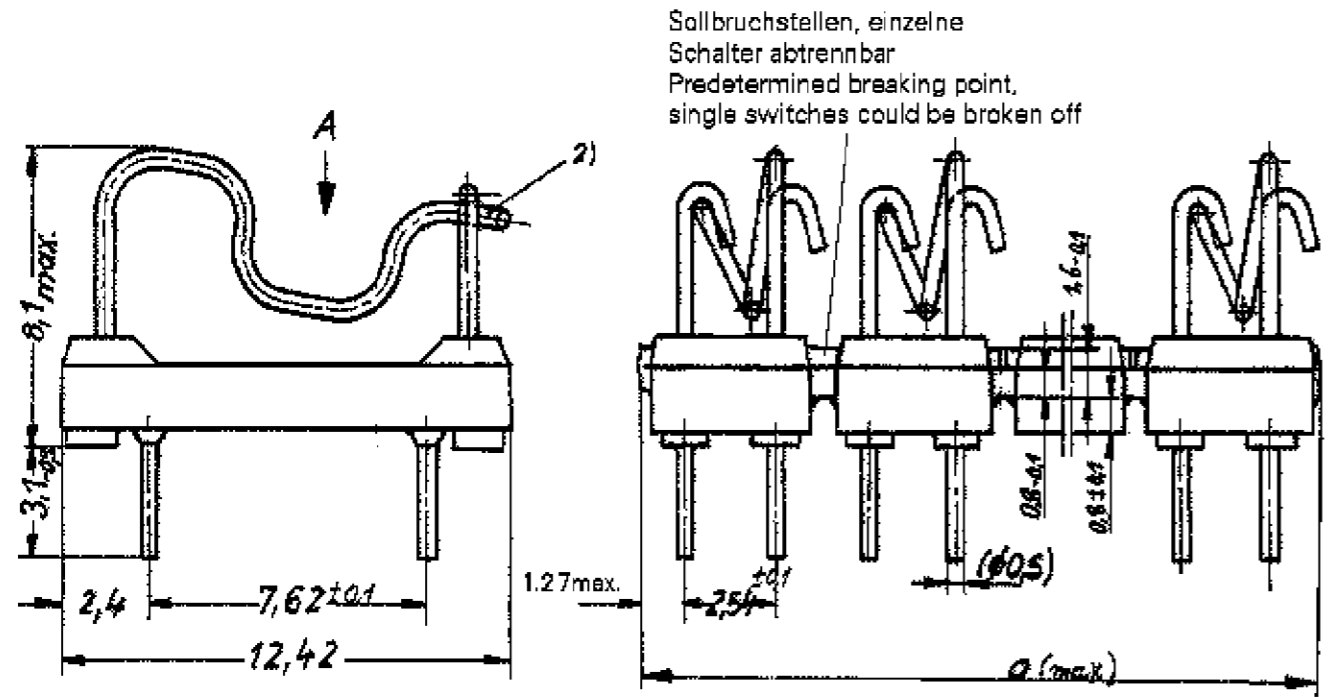
THIS DRAWING IS UNPUBLISHED. RELEASED FOR PUBLICATION 2000
 © COPYRIGHT 2000 BY TYCO ELECTRONICS CORPORATION. ALL RIGHTS RESERVED.

LOC	DIST	REVISIONS			
P	LTR	DESCRIPTION	DATE	DWN	APVD
A1	-	SEE SHEET 1	-	-	-



1) Beim Kleinmaß 5,08 müssen die Schalter spiegelbildlich montiert werden
 In the case of dim. 5,08 the switches have to be mounted rear side to rear side

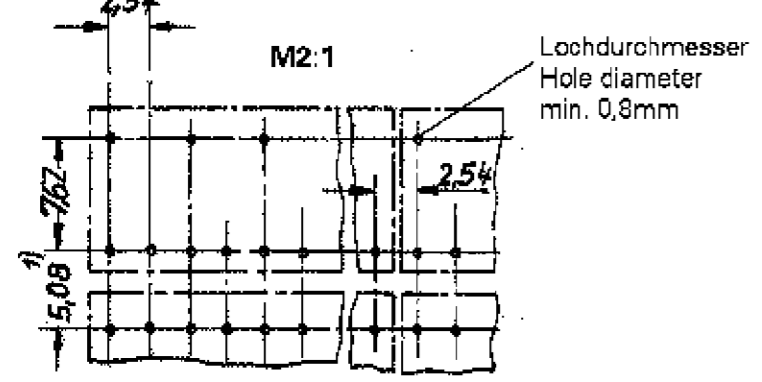
2) ausgeliefert in ausgehaktm Zustand
 delivered in unlocked condition



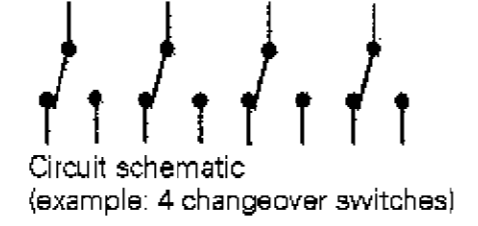
Sollbruchstellen, einzelne Schalter abtrennbar
 Predetermined breaking point, single switches could be broken off

TE - PN	OLD PART NUMBER	DIMENSION a	POSITION NUMBER POLZAHL
1 - 1 393 546 - 4	C42315-A1347-A201	5.08	1
1 - 1 393 546 - 5	C42315-A1347-A202	10.16	2
1 - 1 393 546 - 6	C42315-A1347-A203	15.24	3
1 - 1 393 546 - 7	C42315-A1347-A204	20.32	4
1 - 1 393 546 - 8	C42315-A1347-A205	25.4	5
1 - 1 393 546 - 9	C42315-A1347-A208	40.64	8
2 - 1 393 546 - 0	C42315-A1347-A212	60.96	12

Rasterlochung und Packungsdichte
 Mounting holes and possible package density



Schaltschema (Beispiel: 4 Umschalter)



Circuit schematic (example: 4 changeover switches)



ERSETZT EC-ZEICHNUNG C42315-A1347-A2***-27 BL.1

THIS DRAWING IS A CONTROLLED DOCUMENT FOR TYCO ELECTRONICS CORPORATION IT IS SUBJECT TO CHANGE AND THE CONTROLLING ENGINEERING ORGANIZATION SHOULD BE CONTACTED FOR THE LATEST REVISION.

DIMENSIONS: mm	TOLERANCES UNLESS OTHERWISE SPECIFIED: 0 PLC ± 1 PLC ± 2 PLC ± 3 PLC ± 4 PLC ± ANGLES ±1°	DWN 24 JAN 2001 G. ACKERMANN CHK - M. SCHLEIHAUF APVD - G. FELDMEIER PRODUCT SPEC - APPLICATION SPEC - WEIGHT -	tyco Electronics AMP GmbH D - 67346 Speyer
MATERIAL -	FINISH -	NAME DIPFIX - SCHALTER DIPFIX - SWITCH	RESTRICTED TO -
CUSTOMER DRAWING		SIZE A3 CAGE CODE 00779 DRAWING NO. C=1393546-1	SCALE 5:1, 2:1 SHEET 3 OF 3 REV B1